

EL Series Bimetal Thermometers



FEATURES

- *Silicone liquid fill*
- *1% full span accuracy ASME B40.200 (ASME B40.3 Grade A)*
- *Maximum ambient temp. is 150°F (65°C)*
- *Hermetically sealed case to prevent entry of moisture, interior corrosion and coil freeze-up.*
- *External adjustment permits zero reset from outside the case.*
- *Maxivision® dial allows readability from any angle without parallax error.*
- *Silicone coil dampening (up to 400°F) provides vibration dampening and improves response time.*
- *All-welded stainless steel construction*
- *Durable polycarbonate window*
- *Protection NEMA 4X/IP66*
- *Five year limited warranty*



SPECIFICATIONS

Ashcroft®	
Series:	EL
Dial Sizes:	3", 5"
Stem Length:	2½"-36" ⁽¹⁾
Case & Stem:	304 stainless steel, hermetically sealed
Stem Dia:	.250"
Window:	Durable polycarbonate window
Dial:	Maxivision®, black figures on white background
Pointer:	Black
Connection:	½ NPT and ½ NPT union
Connection Location:	Everyangle™, Rear
Ranges:	-40/160°F-50/550°F -20/120°C-0/300°C
Options:	Code Description
	C4 Individual calibration cert.
	XCS Dual scale
	XDM Dial marking
	XNH Stainless steel tag
	XNN Paper tag
	X3B ⅜" stem dia. with ½ NPT
	X02 ¼ NPT when ½ NPT is standard ⁽²⁾
	XYW 316 SS housing and stem ⁽³⁾

(1) 25"-36" lengths available, consult factory

(2) Only available on rear connection

(3) Only available on 5" Everyangle™

Thermowells must be used on all pressure or velocity applications, to protect the stem of thermometer from corrosion and physical damage, and to facilitate removal of the thermometer without disturbing the process. Maximum ambient temperature is 150°F (65°C).

HOW TO ORDER

30 EL 60 R 040 0/250°F XNH

Dial Size: 3" Code 30	_____	_____	_____	_____	_____
Case Style: EL	_____	_____	_____	_____	_____
Stem Connection: ½ NPT Code 60	_____	_____	_____	_____	_____
Stem Location: Rear Code R	_____	_____	_____	_____	_____
Stem Length: 4" Code 040	_____	_____	_____	_____	_____
Range: Code 0/250°F	_____	_____	_____	_____	_____
Options: Stainless steel tag	_____	_____	_____	_____	_____

EL Series Bimetal Thermometers

EL Series selection table																					
Case	Size	Dial Code	Style Code	Stem			Stem Lengths Available "S"			Temperature Range											
				Conn.	Code	Location	Code	Length (inches)	Code	°F* Fahrenheit	% Div.	Fig. Inter.	°C Celsius	% Div.	Fig. Inter.						
3"	30	EL	½ NPT	60	Rear	R	2½	025	-40/160	2	20	-10/110	2	10							
							4	040	-20/120††			-20/120									
							6	060	0/200			0/50††									
							5"	50	EL	½ NPT Union	42	Everyangle	E	9	090	0/250	2	20	10/150	2	20
														12	120	50/300					
														15	150	50/550					
5"	50	EL	½ NPT	60	Rear	R								18	180	5	50	5	50		
														24	240						

EL Series dual scale ranges	
Inner	Outer
-40/160°F	and -40/70°C
-20/120°F	and -30/50°C†
0/200°F	and -20/90°C
0/250°F	and -20/120°C
30/130°F	and 0/55°C†
50/300°F	and 10/150°C
50/550°F	and 10/290°C

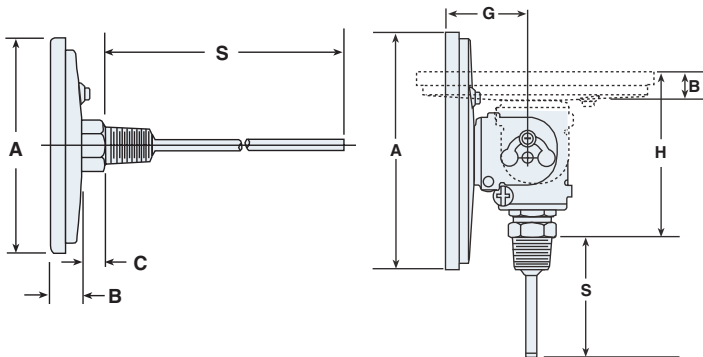
Overtemperature limits	
Top of Range °F	Maximum Over Temperature
up to 160	100% of span
161/300	300°F
301/550	550°F

EL Dimensions											
Case Series	Dial Size	Connection Location	A	B	C	G	H	S	NPT	Hex	Weight in ounces ⁽³⁾
EL	3"	Rear	3½ (80)	1½ (15)	¾ (8)	-	-	-(2)	½	¾	S - 2½"
EL	5"	Rear	5½ (128)	2½ (18)	¾ (8)	-	-	-(2)	½	¾	16
EL	5"	Everyangle	5½ (128)	2½ (18)	-	1½ (48)	3½ (93)	-(2)	½	¾	25

NOTES:

- Figures in parenthesis () are in millimeters. All other dimensions are in inches.
- Standard "S" dimensions are 2½, 4, 6, 9, 12, 15, 18 and 24 inches. Standard stem diameter is ¼ inch.
- Add 1 oz. for every 2 inches of stem length.

DIMENSIONS



*Dual scale ranges available for all standard °F ranges
Use Ashcroft Duratemp® thermometers for ranges above
and below those listed above.
††Minimum stem length for Everyangle is 4".